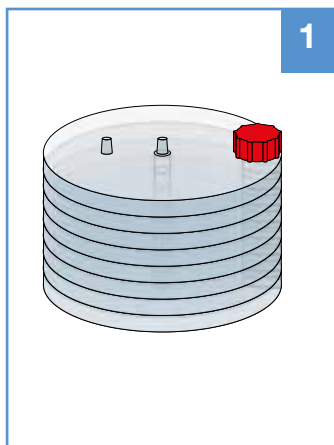


# Greiner Bio-One CELLdisc™

## Instructions for use: CD4, CD8, CD16, CD40

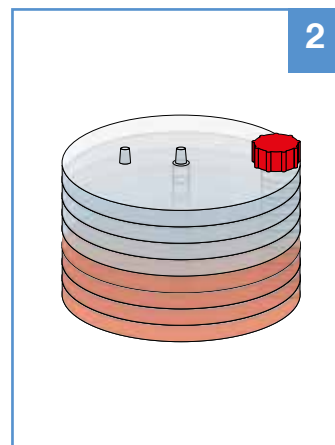
The Greiner Bio One CELLdisc™ is a ready-to-start, multi-layer device, as easy to use as a T-flask. The innovative ergonomic design of CELLdisc™ provides a versatile system for the propagation of adherent mammalian cells from research scale to industrial batches. It is available either with the standard tissue culture (TC) or the Advanced TC™ surface identical to all Greiner Bio One cell culture products to assure consistent performance from lot to lot and from format to format. To ensure safe usage, customers are advised to test Greiner Bio-One systems under conditions of their planned applications.

Intended use: Cell and tissue culture accessory and equipment. For mass cell culture and e.g. culturing of cells. For laboratory use only.



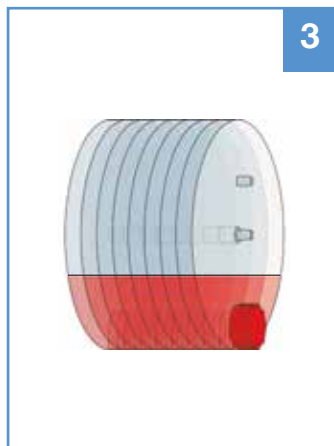
1

Unpack the CELLdisc™ and place it in a laminar air flow cabinet in order to work in sterile conditions.



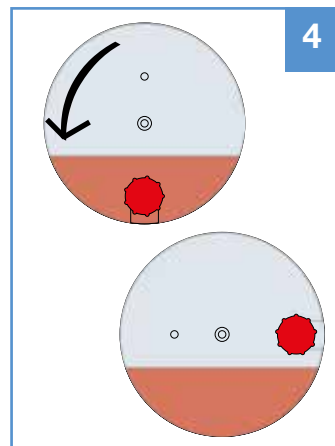
2

Prepare cell suspension accordingly to the concentration (cells/cm<sup>2</sup>) used with other disposables for adherent cell culture. Unscrew screw cap and pour cell suspension directly into the CELLdisc™ using the large opening port. Close CELLdisc™ with the screw cap firmly.



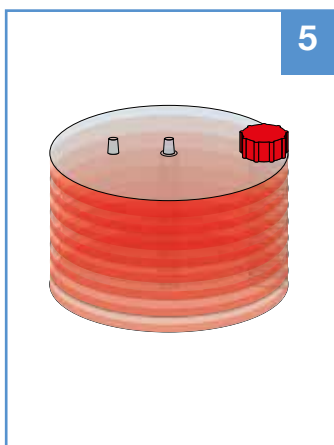
3

Tilt the CELLdisc™ 90° with the screw cap at the lowest possible position. Wait until liquid is equally distributed. Medium will be separated with equal amounts in each layer.



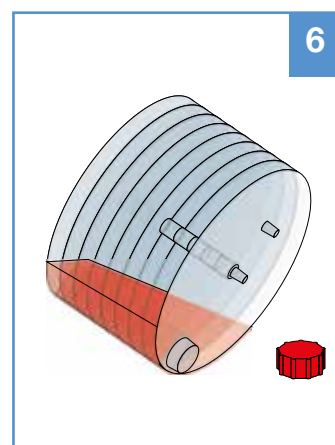
4

Rotate CELLdisc™ by further 90° as showed on the picture. In this way contamination during levelling is prevented as there is no risk of wetting the filter.



5

From this position raise CELLdisc™ up right. (Note: For transport tilt CELLdisc™ slightly backwards.) Place CELLdisc™ on a horizontal surface into an incubator and incubate following appropriate protocol.



6

For media removal, unscrew screw cap and tilt the CELLdisc™ 90° with the large opening port at lowest possible position and simply pour out the media.

# Greiner Bio-One CELLdisc™

## Instructions for use: CD4, CD8, CD16, CD40

### CELLdisc™ Features

- Robust pressure resistant cylindrical design
- Screw cap colour indicating surface treatment
- Integrated gas support channel and vent port for pressure equilibration
- Large 38 mm opening with screw cap for easy filling
- Wide interconnecting channel for fast liquid exchange
- Available as 4-, 8-, 16- and 40-layer version

### CELLdisc™ medium volumes (ml)

CD4	270* - 300 ml
CD8	540* - 600 ml
CD16	1080* - 1200 ml
CD40	2700* - 3000 ml

\* Recommended media volume per layer: 70 ml

### Ordering Information

Cat. No.	Product Description	Quantity per Bag	Quantity per Case
678 104	CELLdisc™, 4 layers, TC treated 1,000 cm <sup>2</sup> , red screw cap, sterile	1	4
678 108	CELLdisc™, 8 layers, TC treated 2,000 cm <sup>2</sup> , red screw cap, sterile	1	3
678 116	CELLdisc™, 16 layers, TC treated 4,000 cm <sup>2</sup> , red screw cap, sterile	1	2
678 140	CELLdisc™, 40 layers, TC treated 10,000 cm <sup>2</sup> , red screw cap, sterile	1	1
678 904	CELLdisc™, 4 layers, Advanced TC™ treated 1,000 cm <sup>2</sup> , blue screw cap, sterile	1	4
678 908	CELLdisc™, 8 layers, Advanced TC™ treated 2,000 cm <sup>2</sup> , blue screw cap, sterile	1	3
678 916	CELLdisc™, 16 layers, Advanced TC™ treated 4,000 cm <sup>2</sup> , blue screw cap, sterile	1	2
678 940	CELLdisc™, 40 layers, Advanced TC™ treated 10,000 cm <sup>2</sup> , blue screw cap, sterile	1	1