



All models available as electronic Xplorer plus and mechanical Research plus.

Vessel Format	Type of tips	epT.I.P.S.®			epT.I.P.S.® 384	
		Eppendorf Xplorer® plus, Research® plus	Eppendorf Xplorer® plus, Research® plus	Eppendorf Xplorer® plus, Research® plus	Eppendorf Xplorer® plus, Research® plus	Eppendorf Xplorer® plus, Research® plus
	No. of channels	4	6	8	8	12
	Volume (µL)	300 / 1,200	300 / 1,200	300 / 1,200	20 / 100	20 / 100
	Tip distance (mm)	9-33	9-20	9-14	4.5-14	4.5-9
	384 Wells (Tip distance 4.5 mm)	-	-	-	■	■
	96 Wells (Tip distance 9 mm)	■	■	■	■	■
	48 Wells (Tip distance 13 mm)	■	■	■	-	-
	24 Wells (Tip distance 19 mm)	■	■	-	-	-
	12 Wells (Tip distance 26 mm)	■	-	-	-	-
	1.5 mL / 2.0 mL Tube (Tip distance 14, 18, 20 mm)	* 14, 18, 20 mm ■	* 14, 18, 20 mm ■	* 14 mm ■	* 14 mm ■	-
	Agarose gel	■	■	■	■	■

* Limited suitability due to volume and size of tips

Eppendorf Research® plus Move It™
(mechanical, multichannel, variable volume)

No. of channels	Volume	Color code	Order no.
4-channel	15-300 µL	orange	3125 000 150
	50-1,200 µL	dark green	3125 000 184
6-channel	15-300 µL	orange	3125 000 168
	50-1,200 µL	dark green	3125 000 192
8-channel	1-20 µL	light pink	3125 000 117
	5-100 µL	light yellow	3125 000 133
	15-300 µL	orange	3125 000 176
	50-1,200 µL	dark green	3125 000 206
12-channel	1-20 µL	light pink	3125 000 125
	5-100 µL	light yellow	3125 000 141

Eppendorf Xplorer® plus Move It™
(electronic, multichannel, variable volume, incl. charger)

No. of channels	Volume	Color code	Order no.
4-channel	15-300 µL	orange	4861 000 816
	50-1,200 µL	green	4861 000 833
6-channel	15-300 µL	orange	4861 000 817
	50-1,200 µL	green	4861 000 834
8-channel	1-20 µL	light pink	4861 000 781
	5-100 µL	light yellow	4861 000 794
	15-300 µL	orange	4861 000 818
	50-1,200 µL	green	4861 000 835
12-channel	1-20 µL	light pink	4861 000 782
	5-100 µL	light yellow	4861 000 795

ep Dualfilter T.I.P.S.® 384

Purity grade	Type of packaging	Tip size	Color code	Smallest tip distance	Order no.
Rack (PCR clean, sterile)	ep Dualfilter T.I.P.S.® 384, 3,840 tips (10 racks x 384 tips)	0.1-20 µL	light pink	4.5 mm	0030 078 403
		0.5-100 µL	light yellow	4.5 mm	0030 078 411

ep Dualfilter T.I.P.S.®

Purity grade	Type of packaging	Tip size	Color code	Smallest tip distance	Order no.
Rack (PCR clean, sterile)	ep Dualfilter T.I.P.S.®, 960 tips (10 racks x 96 tips) ep Dualfilter T.I.P.S.®, 480 tips (5 racks x 96 tips)	20-300 µL	orange	9 mm	0030 077 563
		50-1,250 µL L	dark green	9 mm	0030 077 750

> Find the entire product range of tips at www.eppendorf.com/tips

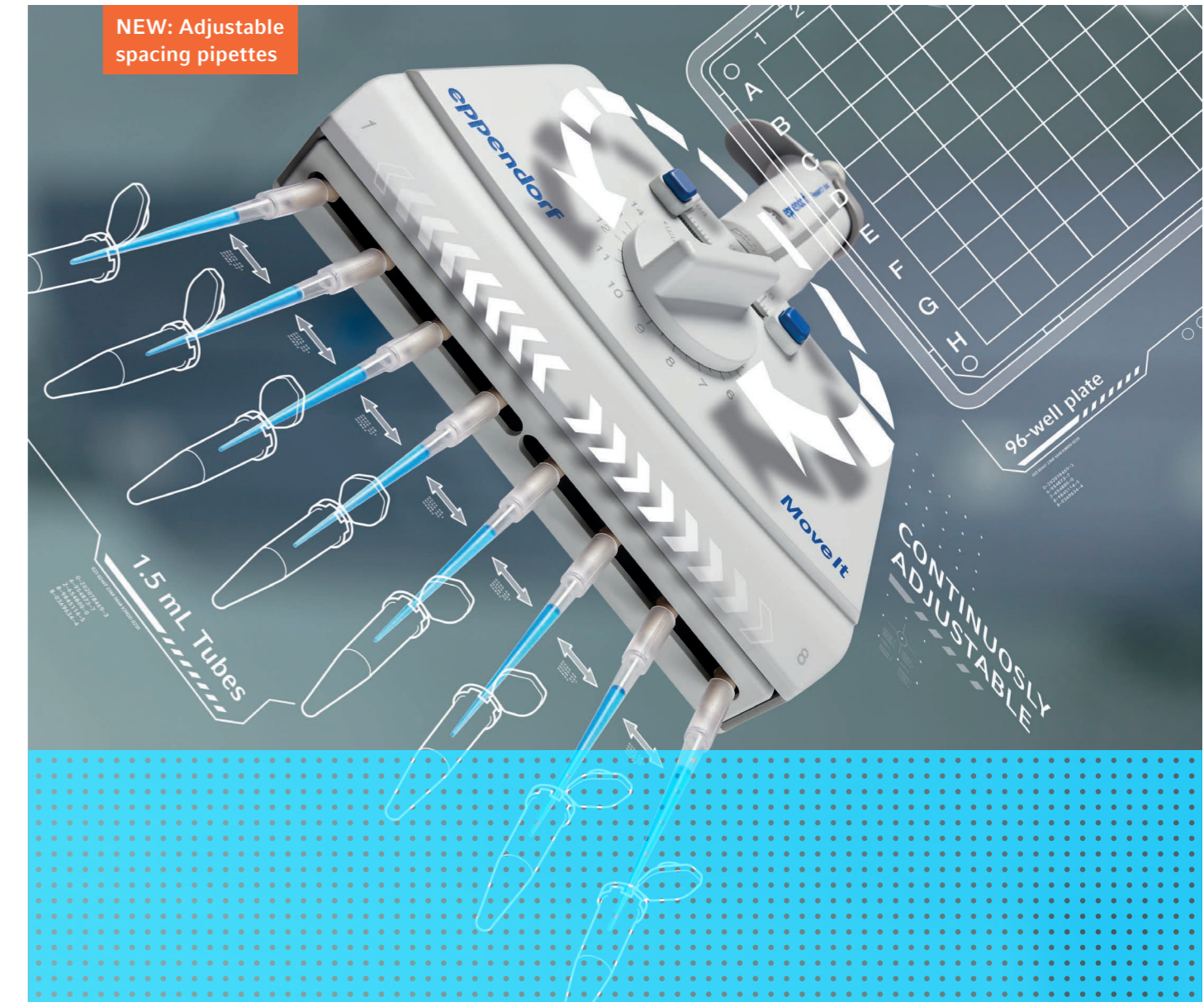


> For more information on pipette service go to www.eppendorf.com/epServices

Your local distributor: www.eppendorf.com/contact
Eppendorf AG · Barkhausenweg 1 · 22339 Hamburg · Germany
eppendorf@eppendorf.com · www.eppendorf.com

www.eppendorf.com

Eppendorf®, the Eppendorf Brand Design, Eppendorf Research®, Eppendorf Xplorer®, PhysioCare Concept®, epServices®, ep Dualfilter T.I.P.S.® and epT.I.P.S.® are registered trademarks of Eppendorf AG, Germany. Eppendorf Quality™ and Move It™ are trademarks of Eppendorf AG, Germany. U. S. Design Patents are listed on www.eppendorf.com/ip. All rights reserved, including graphics and images. · Copyright © 2019 by Eppendorf AG. Carbon neutrally printed in Germany. Order No.: AA01 000 320/EN1/4.21/0819/SS0/STEF



Move It!

Multiple sample transfer between different formats now becomes fast and secure
NEW: Eppendorf Research® plus and Xplorer® plus Move It™ adjustable spacing pipettes



> Speed up your laboratory work and go to:
<https://handling-solutions.eppendorf.com/liquid-handling/pipetting-facts/time-saving/>

Double Your Performance

Maximizing efficiency

Do you frequently switch between different consumable formats i.e. tubes to plates? With the new Move It pipettes you can easily switch between various formats; reducing your throughput time by 50% while increasing reproducibility.

1. Maximizing Efficiency

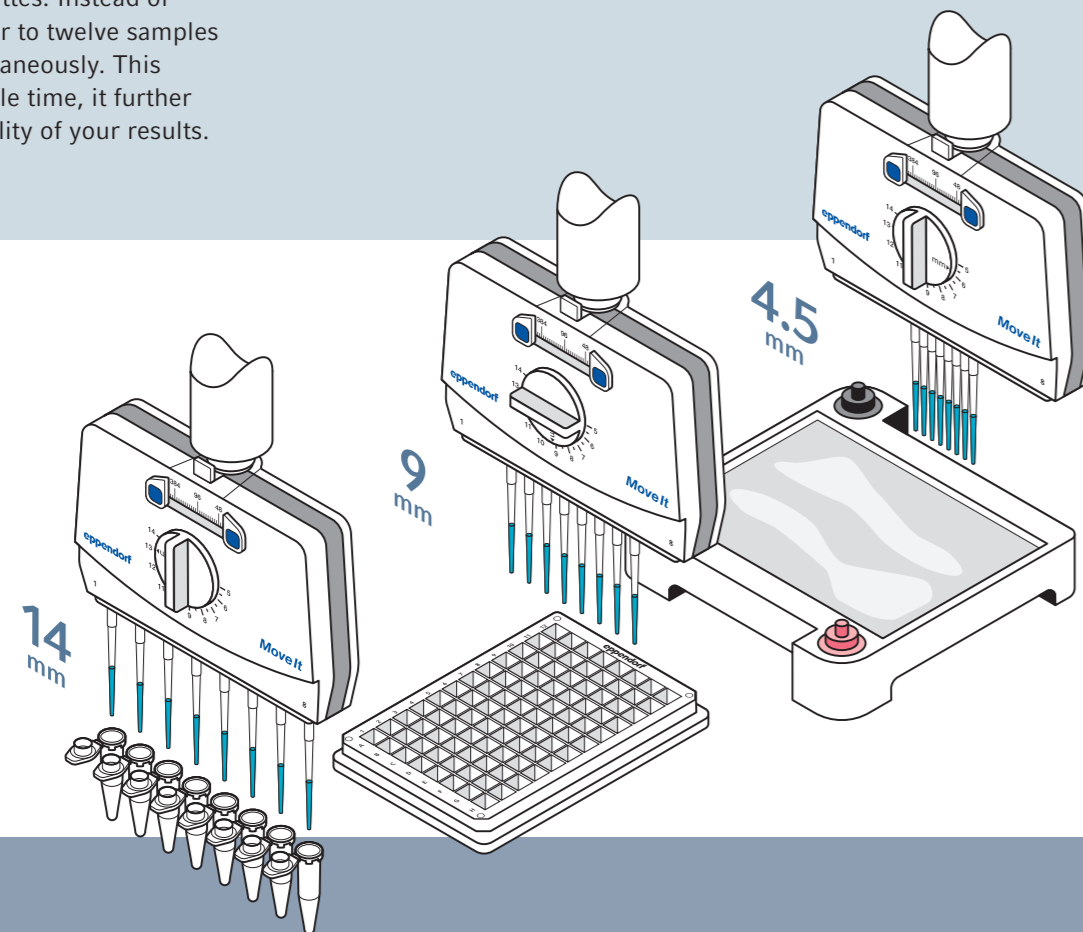
Easy and fast format change

Often, single channel pipettes are used for multiple sample transfer from one vessel type to another. This can be time-consuming and inconvenient, especially when throughput increases.

Multiple sample transfers between different vessel types and formats become possible with the new Move It pipettes. Instead of pipetting many times, four to twelve samples can now be moved simultaneously. This not only saves you valuable time, it further increases the reproducibility of your results.

Example applications

- > Blood analysis
- > FACS analysis
- > Cell Based Assays
- > Cell Culture
- > ELISA
- > PCR
- > Mouse genotyping

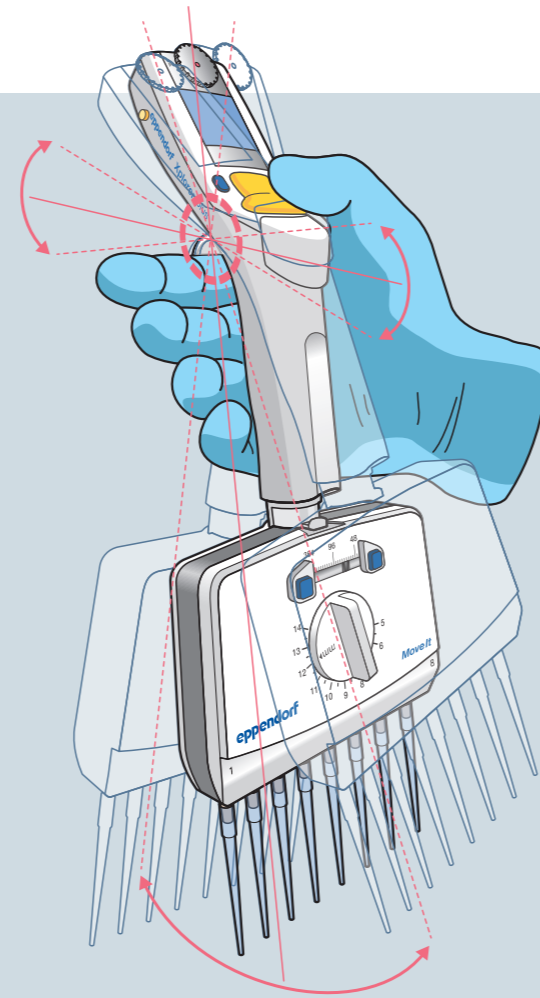


Safe sample transfer

For a safe sample transfer, the spacing adjustment is vibration-free, easy, and fast. By just a simple turn of the adjustment knob, the tip distance is modified.

Defined settings for quick switches

Switching between source and destination vessels made simple by using the spacing control. These pipettes can easily be adjusted manually with pre-defined settings for different plate formats. All you have to do is to set the spacing control to 384, 96, 48, 24 or 12-well plates using the indicated scale. This enables quick switches back and forth, between two formats, by manually operating the adjustment knob.



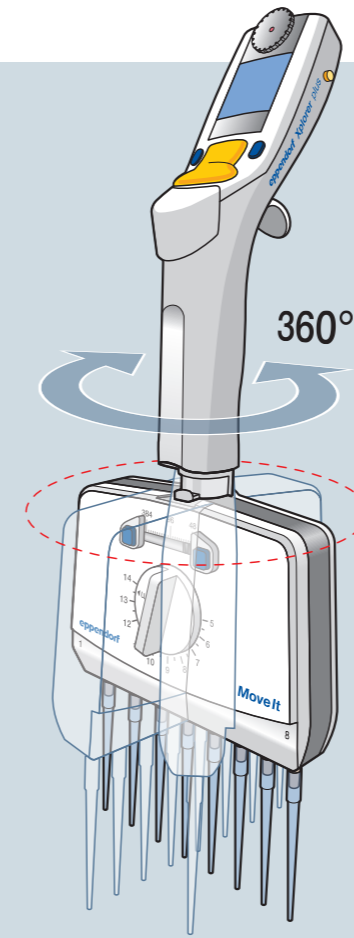
Optimal balance for a relaxed hand

Need a break? With a natural and relaxed hand position the demand for a break decreases. Move It pipettes reduce hand fatigue to a minimum. This is achieved by an optimized balance of the pipette. The user also benefits from convenient visibility of tips and samples. Enjoy a stress-free operation the whole day long.

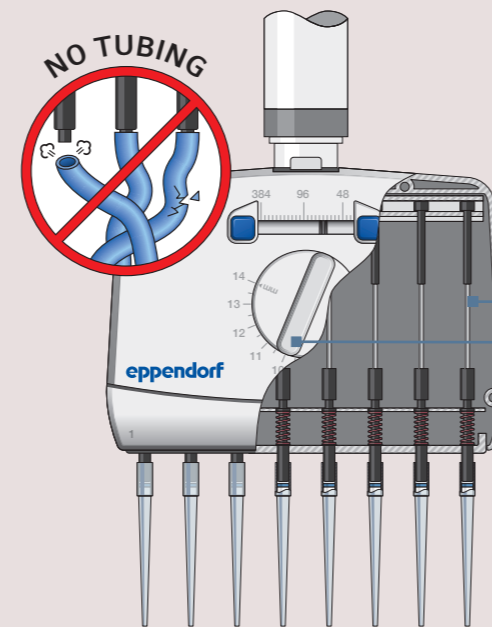


Rotatable pipette head – 360°

All Move It pipettes are designed without the need of tubing. Thus, the pipette head is completely rotatable. The user benefits from comfortable readability of the display. This not only supports an ergonomic and relaxed body posture, it also ensures fast identification of all parameters; saving you valuable time.



2. Safe Sample Transfer



Tubeless system for reliability and reproducible results

- The piston cylinder system is directly connected to the nose cone. The user therefore benefits from special advantages:
- > Lack of heat transfer to air-cushion from motor or hand – for stable temperature for higher precision and reproducibility
- > Easy autoclavability* – for reduced contamination risk
- > Lack of possible cable tangle and tubing-porosity – for consistently reliable robustness and precision
- > Less maintenance requirements compared to pipettes with tubing system

Adjustment knob for smooth liquid transfer

Since no motor is used, format changes don't cause vibrations; enabling liquid transfers without the risk of dripping.

* Xplorer plus lower part only, and Research plus fully autoclavable

Move It Keeps The Balance For You

Business Manager Peter Schmidt

When developing the adjustable spacing pipettes, our goal was to keep the ideal balance in the hand. As the lower part of the pipette gained weight, we faced a challenge. An external study revealed that a good balance is more important for the user than the total weight. Encouraged by this, we replaced some inner parts of the pipette with metal parts. The result is a well-balanced pipette supporting ergonomic working conditions.



Move It – You have the choice

Mechanical Research plus pipettes are the workhorses for each lab. The Xplorer electronic pipettes with highest variety of functions are the ideal instrument if you need intuitively and precisely adjustable parameters, reproducible and accurate results while experiencing fatigue-free pipetting.

Adjustment knob

- > Tip spacing adjustable manually
- > Intuitive, direct, and vibration-free
- > Liquid transfers without dripping

Tubeless system

- > Stable temperature in air-cushion
- > Consistently reliable robustness and precision
- > Easy autoclavability*
- > Reduced maintenance requirements

* Xplorer plus lower part only, and Research plus fully autoclavable



Rotatable pipette head – 360°

- > Comfortable readability of display
- > Ergonomic and relaxed body posture
- > Fast identification of parameters

Spacing control

- > For adjusting source and destination formats
- > Easy assignment to 384-, 96-, 48-, 24-, and 12-well plates
- > Quick switches backwards and forwards between the formats

Adjustable tip spacing

- > For microplates, sample tubes, tubes in holders, and agarose gels
- > Tip spacing freely selectable between 4.5 and 33 mm

> Find more information on the Eppendorf PhysioCare Concept® on www.eppendorf.com/physiocare



> More information about Move It
Click or scan to follow:
www.eppendorf.com/Move-It

