



eppendorf

eppendorf

Eppendorf Research® plus
(multichannel, variable volume)

No. of channels	Volume	Color code	Order no.
16 channel	1–20 µL	<input type="checkbox"/> pearl white	3122 000.078
	5–100 µL	<input checked="" type="checkbox"/> light yellow	3122 000.094
24 channel	1–20 µL	<input type="checkbox"/> pearl white	3122 000.086
	5–100 µL	<input checked="" type="checkbox"/> light yellow	3122 000.108

Eppendorf Xplorer® plus
(multichannel, variable volume, incl. charger)

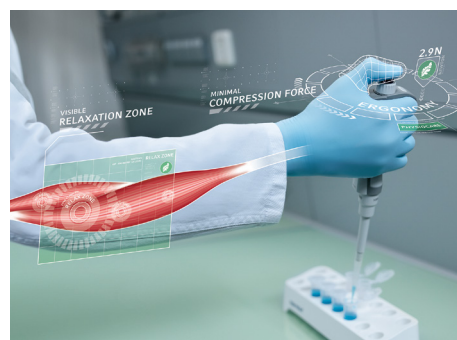
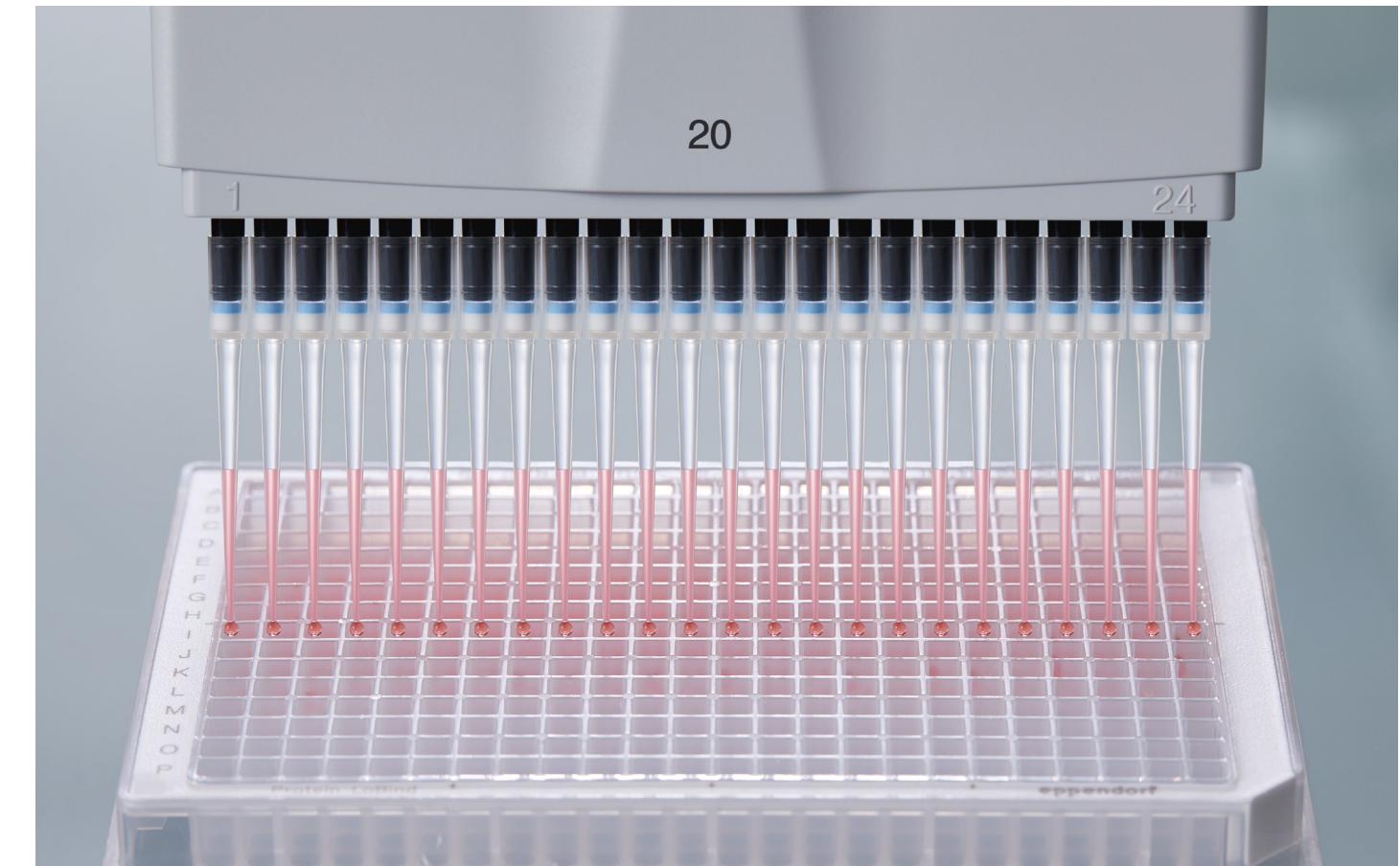
No. of channels	Volume	Color code	Order no.
16 channel	1–20 µL	<input type="checkbox"/> pearl white	4861 000.778
	5–100 µL	<input checked="" type="checkbox"/> light yellow	4861 000.792
24 channel	1–20 µL	<input type="checkbox"/> pearl white	4861 000.779
	5–100 µL	<input checked="" type="checkbox"/> light yellow	4861 000.793

epT.I.P.S.® / ep Dualfilter T.I.P.S.® 384

Tips 384	Available as	Tip size	Color code	epT.I.P.S.® 384 Order no.	ep Dualfilter T.I.P.S.® 384 Order no.
Set (Eppendorf Quality™)	epT.I.P.S.® 384, 1,920 tips (5 trays x 384 tips), 1 reusable box	20 µL	<input type="checkbox"/> pearl white	0030 076.028	–
		100 µL	<input checked="" type="checkbox"/> light yellow	0030 076.036	–
Reload (PCR clean)	epT.I.P.S.® 384, 3,840 tips (10 trays x 384 tips)	20 µL	<input type="checkbox"/> pearl white	0030 076.001	–
		100 µL	<input checked="" type="checkbox"/> light yellow	0030 076.010	–
Reload (Eppendorf Quality™)	epT.I.P.S.® 384, 3,840 tips (10 trays x 384 tips)	20 µL	<input type="checkbox"/> pearl white	0030 076.044	–
		100 µL	<input checked="" type="checkbox"/> light yellow	0030 076.052	–
Rack (PCR clean, sterile)	ep Dualfilter T.I.P.S.® 384, 3,840 tips (10 racks x 384 tips)	20 µL	<input type="checkbox"/> pearl white	–	0030 078.403
		100 µL	<input checked="" type="checkbox"/> light yellow	–	0030 078.411

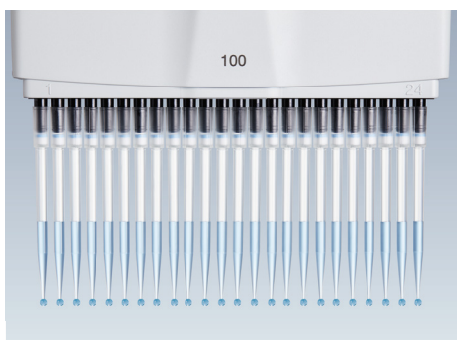
384-well plates	Order no.
Eppendorf twin.tec® PCR plate 384	0030 128.508
Eppendorf Deepwell Plate 384	0030 521.102
Eppendorf Microplate 384/V	0030 621.301

> For more information go to: www.eppendorf.com/plates



Superior ergonomics
Ergonomic operation and energy saving. Reduced ejection forces and 40% lower tip attachment forces per cone:

- > **New epT.I.P.S. 384 with SOFTattach technology:** outstandingly smooth and even tip attachment
- > **Spring-loaded tip cone:** with haptic feedback there is no need for rocking and banging, one gentle touch, and done
- > **SOFTject:** 50% reduction of ejection forces by successive tip ejection



Reproducible results
High level reproducibility and user safety:

- > **Start 16 or 24 reactions simultaneously:** for equal starting conditions
- > **SOFTattach technology and optimal pipette-tip compatibility:** for reliable tip tightness
- > **Perfectly aligned epT.I.P.S. 384:** for safe plate maneuvering and liquid transfer



Time-saving
Alternate well pipetting with 8- or 12-channel pipettes is a thing of the past:

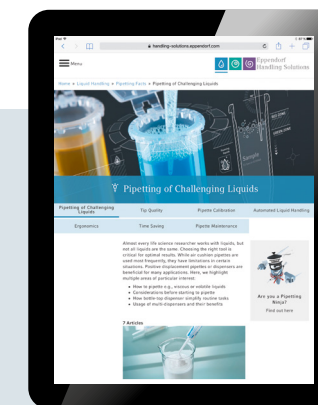
- > **In just one step:** process complete columns or rows with 16- or 24-channel pipettes
- > **Protects from accidental well misidentification and repeating of experiments**
- > **Improve efficiency with 384-well plates:** 50% reduction in pipetting steps by processing one 384 instead of four 96 well plates

Eppendorf Handling Solutions

How to prevent muscle strain during work
Everyday work in a laboratory puts high demands on our bodies. Visit our Liquid Handling website »Pipetting facts/Ergonomics« for helpful tips and trick.



> Learn more about pipetting and have fun as well:
www.eppendorf.com/pipetting



Your local distributor: www.eppendorf.com/contact
Eppendorf AG · Barkhausenweg 1 · 22339 Hamburg · Germany
eppendorf@eppendorf.com · www.eppendorf.com

www.eppendorf.com

Eppendorf®, the Eppendorf Brand Design, Eppendorf Research®, Eppendorf Xplorer®, PhysioCare Concept®, ep Dualfilter T.I.P.S.®, epT.I.P.S.®, Eppendorf twin.tec®, Eppendorf ThermoMixer® and Mastercycler® are registered trademarks of Eppendorf AG, Germany. Eppendorf Quality™ is a trademark of Eppendorf AG, Germany. U. S. Design Patents are listed on www.eppendorf.com/ip. All rights reserved, including graphics and images. - Copyright © 2019 by Eppendorf AG. Carbon neutrally printed in Germany. Order No.: A401 001 120EN1/2,21/0219/PEG/STEF

384. Ready. Set. Pipette!

384-well pipetting made easy
NEW: 16- or 24-channel pipettes and epT.I.P.S.® 384

16 and 24 Wells in Just One Step

Pipette into 384-well plates without the pain

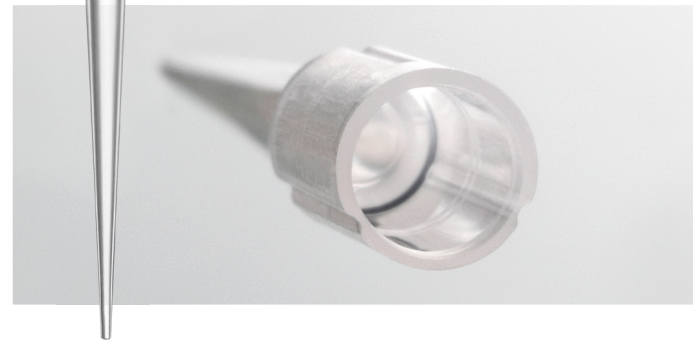
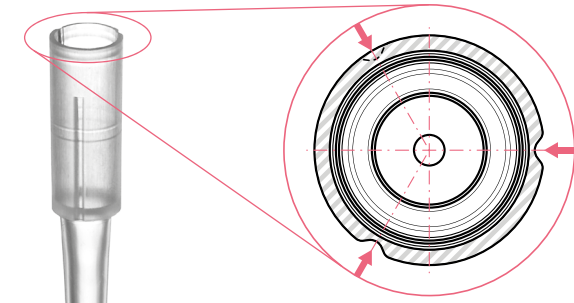
Do you work with 384-well plates and strive for more efficient manual pipetting methods? Your worries are over.

Eppendorf's new 16- or 24-channel pipettes and epT.I.P.S.® 384 make working with 384-well plates convenient, ergonomic and safe.

Fill 384 wells within a minute

- > No more mistakes or tedious work due to inconvenient alternate well pipetting with 8- or 12-channel pipettes
- > Set up or validate an automated process manually, and have a back-up system in case automation fails
- > Increase your throughput today and change from 96 to 384-well plates. There's no reason to hesitate anymore!

Ergonomics – Practiced Innovation

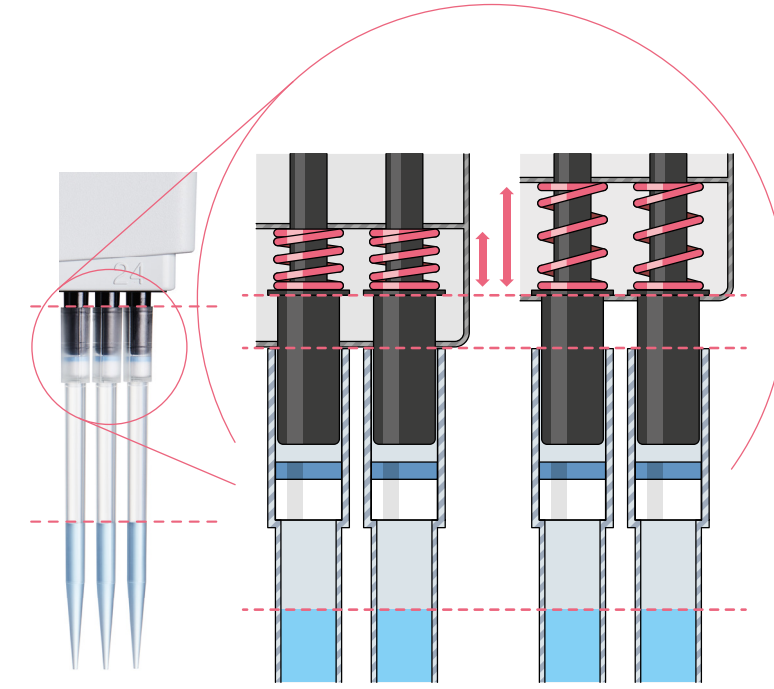


epT.I.P.S. 384 with SOFTattach technology – the key innovation

For the first time, pipette tips have elastic forming grooves. They allow the tips to stretch as much as necessary to enable a perfect seal while operating forces are reduced to a minimum.

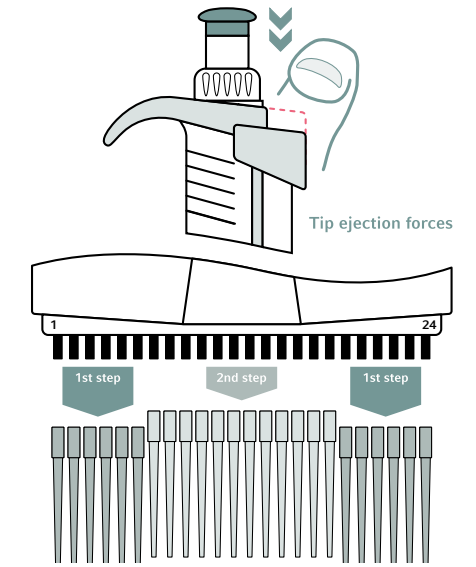
Your benefit:

- > Outstanding and reliable tip fit and tightness
- > Reduced tip attachment and ejection forces



Spring-loaded tip cone for ergonomic and safe work

- > Reduced tip attachment force
- > Haptic feedback indicates reproducible and safe tip fit
- > Uniform uptake of liquid



SOFTject for reduced tip ejection force

During a single tip ejection stroke, the outside tips eject before the inside tips. This reduces the tip ejection forces by 50%.

SOFTeject tip ejection

- > Successive tip ejection without perceptible delay
- > Tip ejection forces reduced by 50%

Channel indicator

- > First and last channels are labeled
- > Use the pipette in the same orientation – all the time

Spring-loaded tip cone*

- > Minimizes tip attachment forces
- > No rocking or banging needed
- > Haptic feedback indicates perfect and reliable tip fit

Rounded tip cones

- > Glide easily into all 16 or 24 tips

epT.I.P.S. 384 with SOFTattach technology

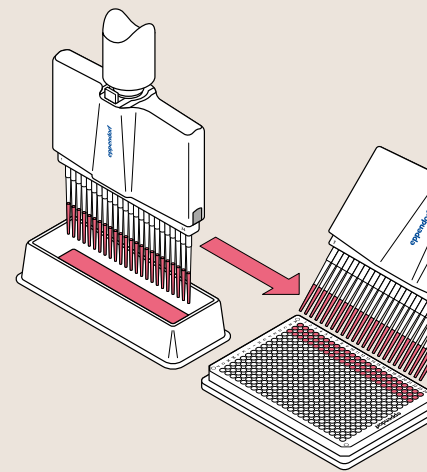
- > For smooth and even tip attachment, and ejection, reducing operating forces
- > New dimension of tip fit and tightness
- > Perfect tip alignment by extraordinary coaxiality
- > Extremely fine tip shape to perfectly hit all 384 wells

Get the 16- or 24-channel pipettes in our gold standard Research plus or in our efficient electronic Xplorer plus models.

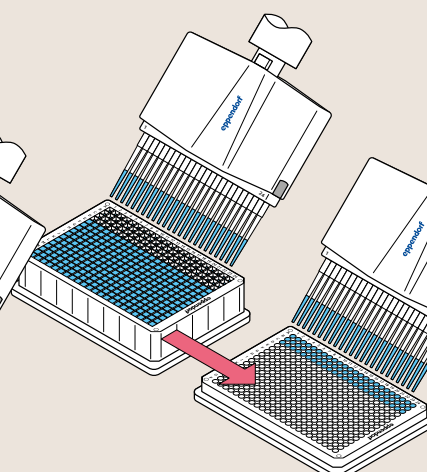
* available for all Eppendorf pipettes up to 1 mL.

Applications for 384 Well Plates

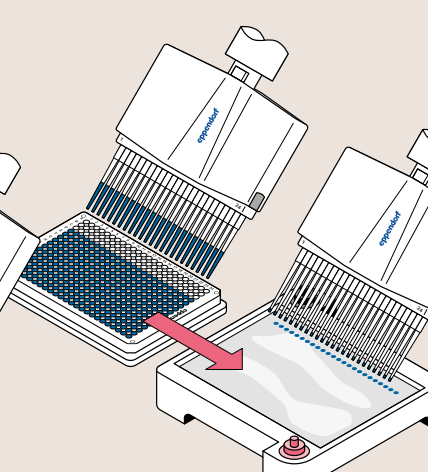
1 From reagent reservoir to 384-well plate



2 From 384 to 384-well plate



3 From 384-well plate to agarose gel



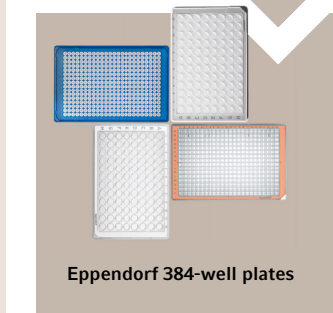
- > Biochemical assays
- > Cell based assays
- > Immunoassays
- > Storage of biological samples or chemical compounds

- > Nucleic acid based methods
 - Amplification
 - Loading of agarose gels
 - Purification
 - Quantification
 - Sequencing

Workflow

Complete Solutions from Eppendorf

As a solution provider, we offer 384 well formats with our microplates, thermocyclers, thermomixers, centrifuges and services to complete your 384 well workflow demands. More information about our workflow solutions on: www.eppendorf.com



Ergonomics – Then and Now

Always focusing on scientists' needs

To sustainably support the health of our customers, Eppendorf introduced the PhysioCare Concept®. Our philosophy is to continuously listen to scientists' needs while challenging the status quo of existing tools. Eppendorf has surpassed themselves once again with the new system for 384-well plates by combining proven concepts with new innovations:

The already proven features, the **spring-loaded tip cone** and **SOFTject**, were combined with a further innovation – epT.I.P.S. 384 with **SOFTattach** technology. All these features combined ensure greater user safety and ergonomics at work:

- > Tip attachment – even and reliable
- > Tip ejection – smooth and easy
- > Per tip cone, attachment and ejection forces are significantly reduced
- > Perfectly aligned tips ensure safe plate maneuvering and liquid transfer

www.eppendorf.com/physiocare

